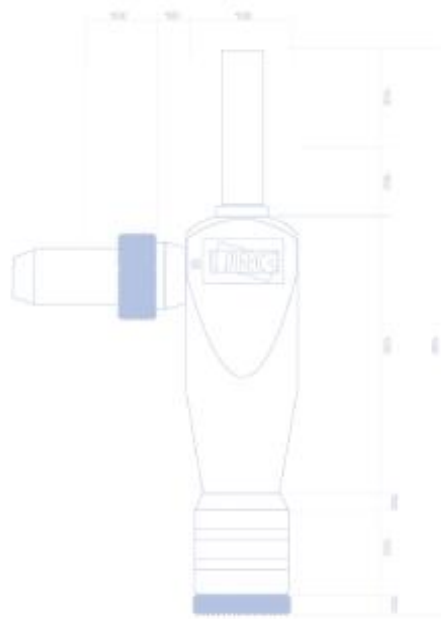




インレットカタログ



アルミニウムサイクロン

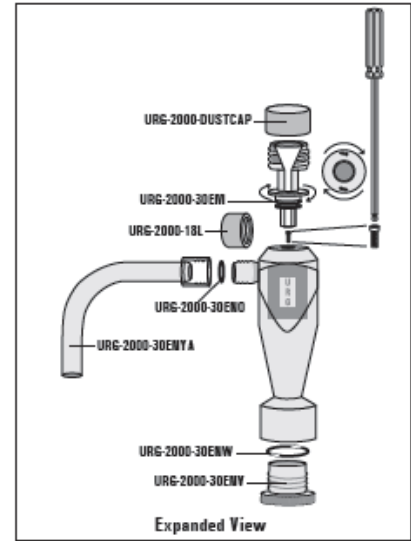
URG-2000-30EHB

16.7Lpm 1 μ mカット



Specifications

- Teflon[®] Coated Aluminum
- Inlet: 5/8" OD 90 Degree Arm
- Outlet: #30 Male Thread
- Removable Top for Easy Cleaning
- 16.7Lpm Flow Rate, 1 μ m
- Dimensions: 5 1/4" x 5 7/8" x 1 1/4" (13.3 x 14.9 x 3.2 cm)
- Weight: 0.2 kg
- Available with 90 Degree Arm (shown, URG-2000-30ENYA) and Straight Arm



アルミニウムサイクロン

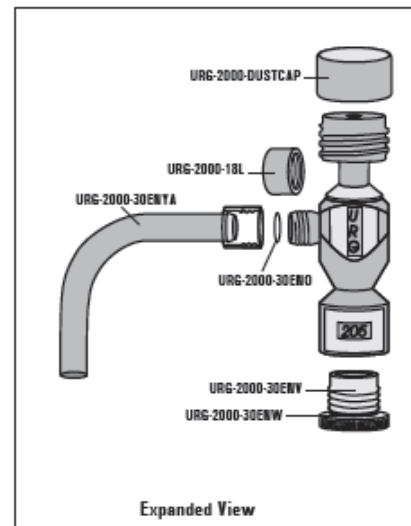
URG-2000-30ED

3Lpm 2.5 μ mカット



Specifications

- Teflon[®] Coated Aluminum
- Inlet: 5/8" OD 90 Degree Arm
- Outlet: #30 Male Thread
- 3Lpm Flow Rate, 2.5 μ m Cutpoint
- Dimensions: 4 1/2" x 5 3/4" x 1 1/4" (11.4 x 14.6 x 3.2 cm)
- Weight: 0.2 kg
- Available with 90 Degree Arm (shown, URG-2000-30ENYA) and Straight Arm



アルミニウムサイクロン

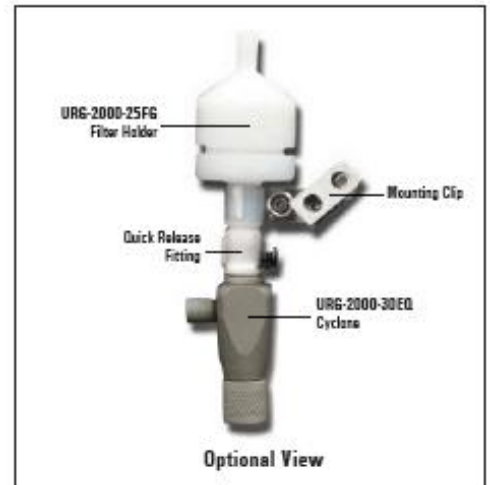
URG-2000-30EQ

3Lpm 2.5µmカット



Specifications

- Teflon® Coated Aluminum
- Inlet: 3/8" OD Tube
- Outlet: Quick Connect Stem
- 3Lpm Flow Rate, 2.5µm Cutpoint
- Dimensions: 2 1/2" x 1 1/4" x 3/4" (6.4 x 3.2 x 1.9 cm)
- Weight: 0.03 kg



アルミニウムサイクロン

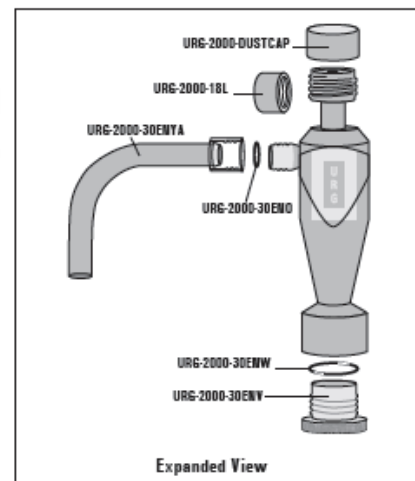
URG-2000-30EN

10Lpm 2.5µmカット



Specifications

- Teflon® Coated Aluminum
- Inlet: 5/8" OD 90 Degree Arm
- Outlet: #30 Male Thread
- 10Lpm Flow Rate, 2.5µm Cutpoint
- Dimensions: 6 1/4" x 5 7/8" x 1 1/4" (15.9 x 14.9 x 3.2 cm)
- Weight: 0.2 kg
- Available with 90 Degree Arm (shown, URG-2000-30ENYA) and Straight Arm



アルミニウムサイクロン

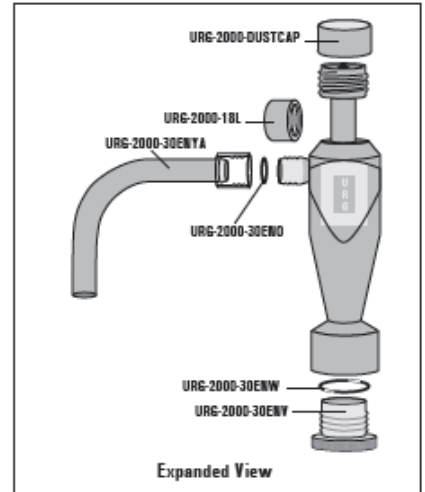
URG-2000-30EH

16.7Lpm 2.5µm カット



Specifications

- Teflon® Coated Aluminum
- Inlet: 5/8" OD 90 Degree Arm
- Outlet: #30 Male Thread
- 16.7Lpm Flow Rate, 2.5µm Cutpoint
- Dimensions: 6 1/2" x 6 1/8" x 1 1/2" (16.5 x 15.6 x 3.8 cm)
- Weight: 0.3 kg
- Available with 90 Degree Arm (shown, URG-2000-30ENYA) and Straight Arm



アルミニウムサイクロン

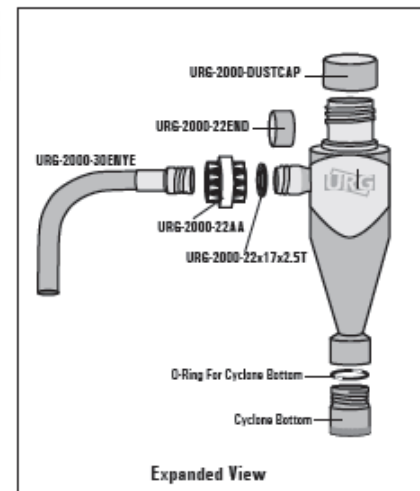
URG-2000-30EC

42Lpm 2.5µm カット



Specifications

- Teflon® Coated Aluminum
- Inlet: 5/8" OD 90 Degree Arm
- Outlet: #30 Male Thread
- 42Lpm Flow Rate, 2.5µm Cutpoint
- Dimensions: 8" x 7 3/4" x 2 1/4" (20.3 x 19.7 x 3.2 cm)
- Weight: 0.7 kg
- Available with 90 Degree Arm (shown, URG-2000-30ENYE) and Straight Arm



ステンレスサイクロン URG-2000-30ENS 10Lpm 2.5 μ m カット

Specifications

- Stainless Steel
- Inlet: 12mm OD Tube
- Outlet: 12mm OD Tube
- Designed for a Flow of 10Lpm with a 2.5 μ m Cutpoint
- Removable Top for Easy Cleaning
- Dimensions: 3" x 1.3" x 5.1" (7.6 x 3.2 x 13 cm)
- Weight: 0.5 kg
- Available with Straight Arm and 90 Degree Outlet (shown)
- Removable Outlet Can Be Configured in 4 Different Directions



ステンレスサイクロン URG-2000-30EHS 16.7Lpm 2.5 μ m カット

Specifications

- Stainless Steel
- Inlet: 0.5-inch OD Tube
- Outlet: 15mm OD Tube
- Designed for a Flow of 16.7Lpm with a 2.5 μ m Cutpoint
- Removable Top for Easy Cleaning
- Dimensions: 2.7" x 1.5" x 6.4" (6.8 x 3.8 x 16.2 cm)
- Weight: 0.8 kg



ステンレスサイクロン URG-2000-30EP 92Lpm 2.5 μ m カット

Specifications

- Stainless Steel
- #30 Male Thread at Inlet and Outlet
- Removable Top for Easy Cleaning
- Designed to Meet USEPA's Specifications for CFR Part 86 Subpart N Revisions for the Certification of Heavy Duty Diesel Engines
- Provides 99% Flow Through of Particlex 1 μ m and Smaller
- 16.7Lpm 10 μ m to 92 Lpm 2.5 μ m Operating Range
- Dimensions: 11.7" x 3.9" x 2.5" (29.7 x 9.9 x 6.4 cm)
- Weight: 3.4 kg

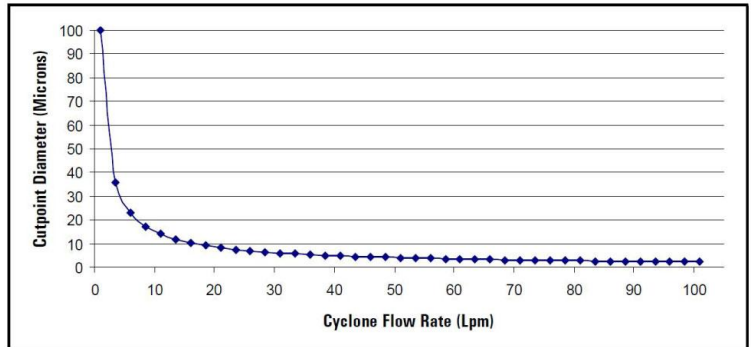


URG-2000-30AR
※オプション品

ステンレスサイクロン URG-2000-30ER 92Lpm 2.5 μ m カット

Specifications

- Stainless Steel
- #30 Male Thread at Inlet and 3/4" FNPT at Outlet
- Removable Top for Easy Cleaning
- Designed to Meet USEPA's Specifications for CFR Part 86 Subpart N Revisions for the Certification of Heavy Duty Diesel Engines
- Provides 99% Flow Through of Particlex 1 μ m and Smaller
- 16.7Lpm 10 μ m to 92 Lpm 2.5 μ m Operating Range
- Dimensions: 11.7" x 3.9" x 2.5" (29.7 x 9.9 x 6.4 cm)
- Weight: 3.4 kg



ステンレスサイクロン URG-2000-30ES 92Lpm 2.5 μ m カット

Specifications

- Stainless Steel
- #30 Male Thread at Inlet and 1/2" FNPT at Outlet
- Removable Top for Easy Cleaning
- Designed to Meet USEPA's Specifications for CFR Part 86 Subpart N Revisions for the Certification of Heavy Duty Diesel Engines
- Provides 99% Flow Through of Particlex 1 μ m and Smaller
- 16.7Lpm 10 μ m to 92 Lpm 2.5 μ m Operating Range
- Dimensions: 13.3" x 3.9" x 2.5" (33.7 x 9.9 x 6.4 cm)
- Weight: 3.6 kg



URG-2000-30AV
※オプション品

ステンレスサイクロン URG-2000-30ET 92Lpm 2.5 μ m カット

Specifications

- Stainless Steel
- 1" OD Tube at Inlet and Outlet
- Removable Top for Easy Cleaning
- Removable Top for Easy Cleaning
- Designed to Meet USEPA's Specifications for CFR Part 86 Subpart N Revisions for the Certification of Heavy Duty Diesel Engines
- Provides 99% Flow Through of Particlex 1 μ m and Smaller
- 16.7Lpm 10 μ m to 92 Lpm 2.5 μ m Operating Range
- Dimensions: 11.7" x 4.2" x 2.5" (29.7 x 10.6 x 6.4 cm)
- Weight: 3.3 kg



アルミニウムサイクロン

URG-2000-30EA

28.3Lpm 10 μ mカット

Specifications

- Teflon® Coated Aluminum
- Inlet: 1 1/2" OD 90 Degree Arm
- Outlet: #30 Male Thread
- 28.3Lpm Flow Rate, 10 μ m Cutpoint
- Removable Top for Easy Cleaning
- Dimensions: 16" x 13 7/8" x 3 1/2" (40.6 x 35.2 x 8.9 cm)
- Weight: 2.7 kg
- Available with 90 Degree Arm (shown, URG-2000-30ENYD) and Straight Arm



アルミニウムサイクロン

URG-2000-30ENB

16.7Lpm 10 μ mカット

Specifications

- Teflon® Coated Aluminum
- Inlet: 7/8" OD 90 Degree Arm
- Outlet: #30 Male Thread
- 16.7Lpm Flow Rate, 10 μ m Cutpoint
- Removable Top for Easy Cleaning
- Dimensions: 11 3/4" x 10 1/4" x 2 1/2" (29.8 x 26 x 6.4 cm)
- Weight: 1.4 kg
- Available with 90 Degree Arm (shown, URG-2000-30ENYC) and Straight Ar



PM-10インレット

URG-2000-DBQ

16.7Lpm 10μmカット

Specifications

- Operating Flow Rate of 16.7Lpm or 32Lpm
- Available Teflon® Coated or Anodized
- New USEPA Designed Louvered Top
- Dimensions: 9 3/4" x 15 3/8" (24.8 x 39.1 cm)
- Weight: 2.4 kg



Teflon® Coated



Anodized

TSPインレット

URG-2000-30DG

16.7Lpm

Specifications

- Designed to Collect Total Suspended Particulate at 16.7Lpm
- Teflon® Coated Aluminum
- 1.25" ID with O-Rings
- Fits Thermo's TEOM and Partisol
- Used as Inlet Cover on Custom Manifolds
- Fits Any Beta Gauge with a 1.246" OD Inlet Tube
- Dimensions: 2 1/2" OD x 2 5/8" Height (6.4 x 6.7 cm)

Weight: 0.1 kg

